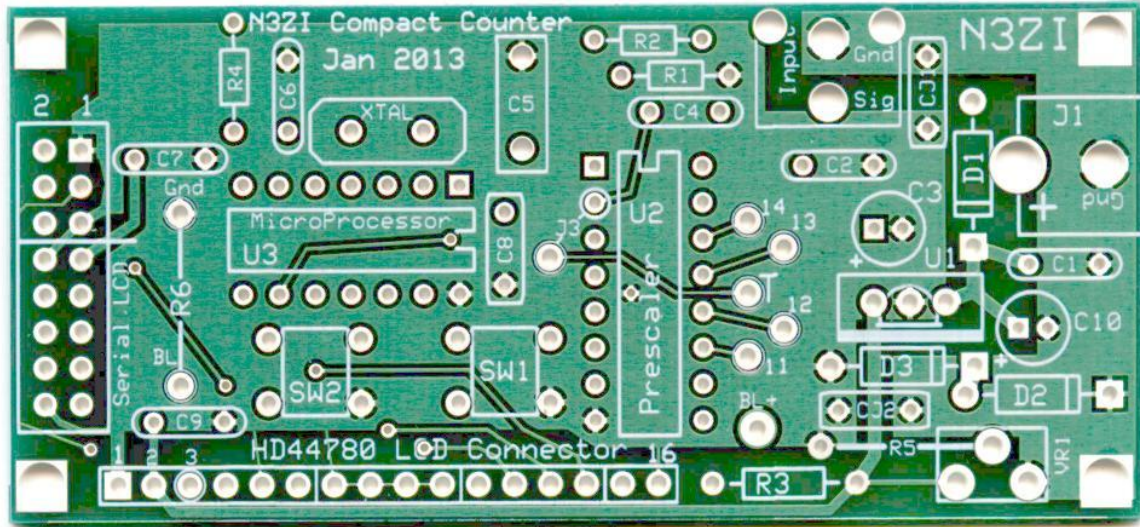


N3ZI Digital Dial Manual

For kit with Backlit LCD

Rev 4.00 Jan 2013 PCB



Kit Components

Item	Qty	Designator	Part Color/Marking
PCB	1		
LCD Display	1	LCD	1602
Volt Regulator	1	U1	78L05, Black TO-92
Prescaler	1	U2 Prescaler	16 Pin Dip, 74HC161/3
Microprocessor	1	U3 Microprocessor	14 Pin Dip, ATTINY84
XTAL	1	XTAL	20.000MHz
Caps, 0.1 uF	4	C1,C2, C7,C8	Yellow - 104
Electrolytic Cap.	1	C3	Black Electrolytic
Cap 47pF	1	C4	Brown 47
Caps, 27pF	2	C5,C6	Brown/Orange - 27
Diode	1	D1	Black Epoxy
Resistors, 100K	2	R1,R2	Brown-Black-Yellow
Resistor, 200 ohm	1	R3	Red, Black, Brown
	0	R6	Not Used
Resistor 3.3K	1	R5	3.3K Orange Orange Red
Trimmer, 10K	opt	VR1	White trimmer
Switch	2	SW1, SW2	
Input Jack	1	Input	RCA Jack
Power Jack	1	J1	2.1mm Power Jack

Note that the above list is only a general guide. You will receive a packing list with your kit which may differ from the above list. The list included with your kit supersedes the above list.

Assembly:

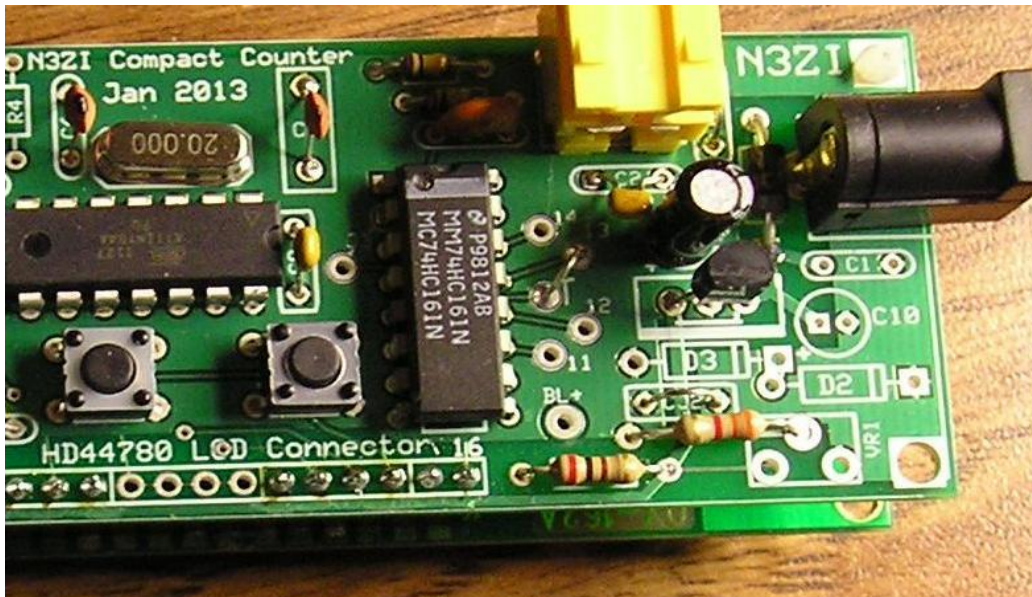
You should start by soldering all of the passive components in the circuit board. Solder in U1, but leave U2, U3 and the LCD module uninstalled for the time being.

N3ZI Digital Dial

Jumpers: There are 3 jumpers that must be soldered in. CJ1 & CJ2 are marked on the silkscreen. A prescaler jumper is also needed, "T" to "13" (see "Advanced Prescaler Options", below, for other options). J3 is left open.

If your kit includes the RCA and power jacks, solder them to the PCB. You may have to cut off the plastic nubs on the RCA connector if it does not seat to the PCB evenly. If your kit does not have the jacks, just solder wires to the holes in the PCB.

Normally VR1 is not supplied with the kit, a fixed 3.3K resistor is used in R5 for contrast control. If you wish to have variable LCD contrast, remove R5, and install a 10K pot in VR1.

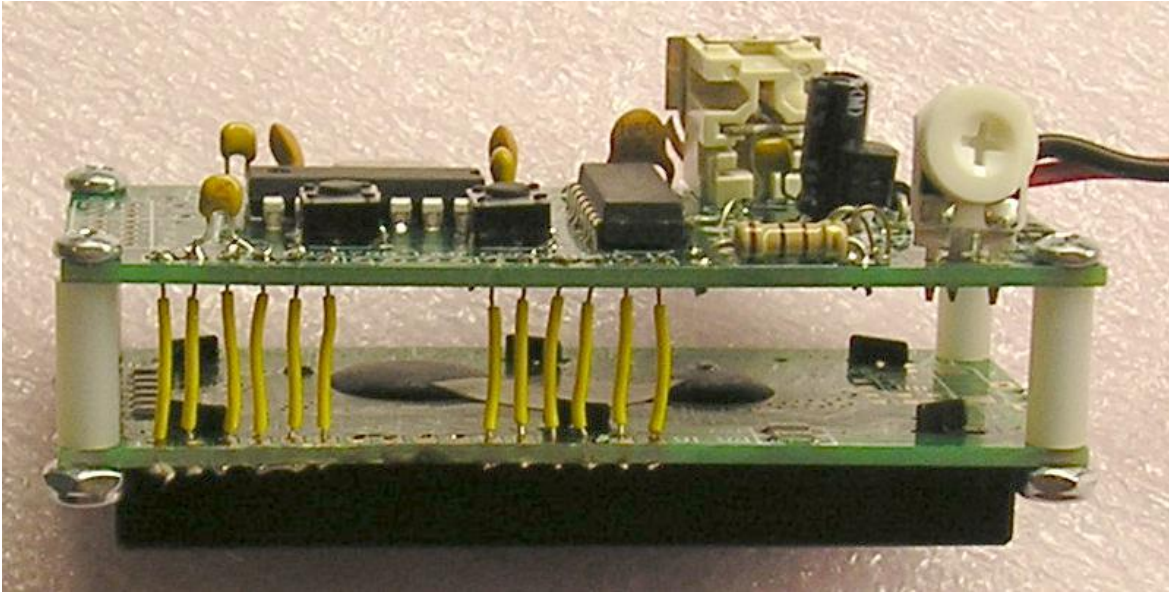


The photo above shows the proper placement of the 3.3K resistor, it uses the center hole of VR1 and the ground hole to the left.

Once all the parts, except IC's U2 & U3 are installed, you should test the power source. Any low impedance voltage source from 9 to 14 volts will work as a power source. (Note: a 9V battery will not work) Double check your work, and apply power. Check the voltage at pin 1 of the microprocessor, you should see +5v there. As long as that is ok, disconnect power, and solder the two DIP ICs, U2 and U3.

Lastly solder wires to connect to the LCD module. Your LCD is connected to the 16 pin single row connector near the bottom of the PCB, labeled "HD44780 LCD Connector". Solder insulated wires from the PCB to the LCD module, see photo. The wiring is straight through if you align the board back to back. If you are using stranded wire, twist and tin each end of the wire first. As shown in the photo, you can skip pins 7-10, they are not used.

N3ZI Digital Dial



If using the 10K pot, adjust VR1 for 1.2v on LCD Pin 3 (with the LCD connected). The fixed 3.3K resistor will fix this voltage to approx 1.2V.

Just a note about the switches, if you want to use different, or remotely mounted switches. There are 4 holes on the PCB for each switch, the upper left is the active signal, the lower right is grounded, the other 2 are not connected.

With this kit you will end up with a PCB with some unused component positions. Prescaler chip: Your kit is supplied with a 74HC161 or equivalent Prescaler chip, although others can be used. Jumpers are provided for a number of different Divide by rations, but, in general, a Div by 4 setting (jumper from "T" to "13") should be used. This will give you a counter that will work up to 32MHz. During the setup routine you should set the timebase factor to 4. Your counter will refresh approximately 20 times per second.

Faster update rates, and operation up to 80MHz is possible with different settings, please refer to the appendix entitled "advanced prescaler options."

N3ZI Digital Dial

Initial Set Up:

When you first power up the counter, a date code should appear for about 2 seconds, then the frequency reading will show. If there is no input, then the IF frequency will be displayed.

If that all looks ok, turn it off, hold one of the push buttons down, and apply power. The date code will appear and stay there until you release the pushbutton.

The first set up item is the calibration factor for the crystal used, in general you don't have to change this, unless you have a real fascination with precision. This value equals the actual oscillating frequency of the microprocessor crystal, in hertz, divided by 100, minus a few depending on the timebase factor.

CAL 200000

Just do nothing to keep the default, it will move to the next step in 5 seconds.

The next step is setting the timebase factor. The default is 4.

Div/n 004

Just do nothing to keep the default, and it will move to the next step in 5 seconds.

The way the setup works, is the buttons increase and decrease the number displayed. Once you've gotten to the value you want. Simply release all the buttons and after about 5 seconds it will proceed to the next step. If you've installed the prescaler chip as above and soldered the appropriate jumpers for divide by 2 operation. Then change this setting to "2" This factor simply slows the timebase down by that factor. When you set it to 2 it causes the counter to count the input 2 times over, thus canceling out the effect of your input divider. Of course this also slows the update rate by the same factor. Decrementing beyond 0 will make it negative, be careful not to accidentally enter a negative value for the timebase factor.

The next step is the number of IF's. The default is usually 2

of IFs 002

But if you are just using one IF offset, change this to "1". If you don't want to use the IF offset feature i.e use as a straight frequency counter, then set this to "0"

N3ZI Digital Dial

The next step is for setting the decimal point position.

dp Pos 12.345.6

Pressing either button sequences the decimal points through the possible positions, including none, periods or comma. In general you should start with something like the one shown above with a decimal point between the last two digits. The position is strictly cosmetic, but the readout can be quite confusing if they are set wrong. If you want to increase the precision of the counter, simply changing the decimal points is not sufficient, refer to the table below in the, "Modifications and Enhancements" section

The next parameters are the IF frequencies. You will be promoted for as many IF's as you specified in step 3.

IF 1 -5.172.0

Simply use the up down buttons to change the IF, for a large change, holding a button down continuously will change the value at an accelerating rate. If the value is negative, a minus sign will appear. If you have to change from a positive IF to a negative number just keep reducing the IF value by holding the button down, eventually it will go to zero and the minus sign comes on, and you keep going. If your radio uses a subtractive frequency plan, you need to enter the IF as a negative number. For example, many swan radios use a 5500 or 5173 KHz IF. You should set one IF to -5.500.0 and one to 5.500.0, for 40m and 80m the SWANs use a subtractive IF, for the higher bands they use an additive IF.

Large changes can take some time, for example It takes about 90 seconds to go from +10.000.0, to -10.000.0 MHz. (Longer to get to the maximum of +/- 99MHz) Once you are close to the value you want, release the button, and use the buttons to tweak it in. The change speed slows the instant the button is released. After your satisfied, just release both buttons, and after 5 seconds of no buttons being pressed, it will move to the next IF. After they are all in the values will be saved in EEPROM. Next time you power up these values will be used.

If you want to use it as a frequency counter, just set one of the IF's to 0. If you are not sure of your IF frequency, set it to zero, then use the device as a frequency counter to measure your radio's BFO frequency. Then go through the setup again using that value for the IF.

N3ZI Digital Dial

Calibration:

With the 74HC163 prescaler the input sensitivity is 100mV RMS (~300mV peak to peak) meaning your VFO signal must be above this level. The maximum input signal level is 5v peak to peak (1.8v RMS) There are clamp diodes on the input of the microprocessor which will absorb some excess voltage, but if you overdrive it too much, such as directly with a transmitter, it will be permanently damaged. Even a 1 watt QRP rig puts out 20v peak to peak, which will cause damage.

Once you get it hooked up to your radio's VFO, you may want a fine tweak of the IF, to compensate for a variety of errors, including the frequency error in the crystal. Generally these are less than 1 KHz.

During normal operation, the buttons are used to switch IF's. Pushing SW2 switches to the next IF and displays that value. Pushing SW1 goes to the previous IF. Holding either switch down runs through all the IF's, just stop at the one you want. They both wrap around, so only one is really needed unless you program in a bunch of IF's. These switches are SPST NO switches, so you can add another switch in parallel if you want to be able to toggle through the IF's without reaching around to the back of the counter. If you are going to put the counter in an enclosure, I suggest you put a pushbutton on the front connected to SW1.

Tune your radio to a known frequency, observe the readout, and compute the error by subtracting the readout value from the expected frequency. Then go through the set-up again, and change your IF setting by exactly that amount. Calibrating this way eliminates the need for a trimmer capacitor in the xtal oscillator circuit. If you are going to use the counter over a wide frequency range then it is better to calibrate it using the "CAL" parameter in the set up. If you want you could use a 50pf trimmer in place of one of the 27pf capacitors, and using that to tweak unit you get exactly the reading you want.

Other Considerations

Anti jitter logic. The s/w designed so that the last digit will not jitter between two values. Even if you purposely set your VFO on the edge of two readings, it won't jitter. Now if your VFO is very unstable, then you may see some jitter. In essence you have 1 LSD (100hz) of hysteresis in the counter.

The readout may show a negative sign, which can be ignored under normal operation. But basically if your radio has a frequency plan that causes the VFO frequency to move in the opposite direction of the operating frequency a minus sign will be shown.

N3ZI Digital Dial

Modifications & enhancements for advanced users

Advanced Prescaler Options: Your kit is supplied with a 74HC163 or equivalent Prescaler chip, although others can be used. Jumpers are provided for a number of different Divide by ratios, but in general a Div by 4 setting should be used. This will give you a counter that will work up to 32MHz. To select this option solder a jumper from "T" to "13" And during the setup routine you should set the timebase factor to 4. Your counter will refresh approximately every 50ms, (20 times per second)

The table below shows some other options. The recommended default settings are highlighted in yellow.

Maximum VFO Frequency	Recommended prescaler Chip	Timebase Factor	Div/ by mode	Jumper	Resolution *2	Update Time *3
8 MHz	NONE	1	NONE	J3	100Hz	13ms
8 Mhz	NONE	10	NONE	J3	10Hz	130ms
8 Mhz	NONE	100	NONE	J3	1Hz	1.3 Sec
16 MHz	74HC163 *1	2	Div/2	T to 14	100Hz	25ms
16 Mhz	74HC163	20	Div/2	T to 14	10Hz	250ms
32 Mhz	74HC163	4	Div/4	T to 13	100Hz	50ms
32 Mhz	74HC163	40	Div/4	T to 13	10Hz	500ms
64 MHz	74HC163	8	Div /8	T to 12	100Hz	100ms
64 Mhz	74HC163	80	Div /8	T to 12	10Hz	1 Sec
80 MHz	74HC163	16	Div /16	T to 11	100Hz	200ms

Notes:

*1) In this application '161 chips can be substituted for '163 chips.

*2) When using the 10Hz or 1Hz resolution you will have to move the decimal points accordingly

*3) The higher the timebase factor, the slower your counter will update. Update rates shown are approximate and do not include the effects of two point averaging and anti-jitter.

Low frequency operation: This counter is designed for amateur radio applications measuring radio frequencies. However, it will also work down to 100KHz with the supplied components. Specifically the limiting factor is C4 the input coupling capacitor. If one was to change C4 to a 1uF capacitor, the low frequency limit would be reduced to approx 10Hz. Below that you would have to use DC coupling.

Using other LCD's: This kit can also be used with LCDs with a 16 pin 2 row connector. This type of LCD connects to the connector on the side of the PCB. You will need a jumper from BL(near R6) to BL+(near R3) to power the backlight.

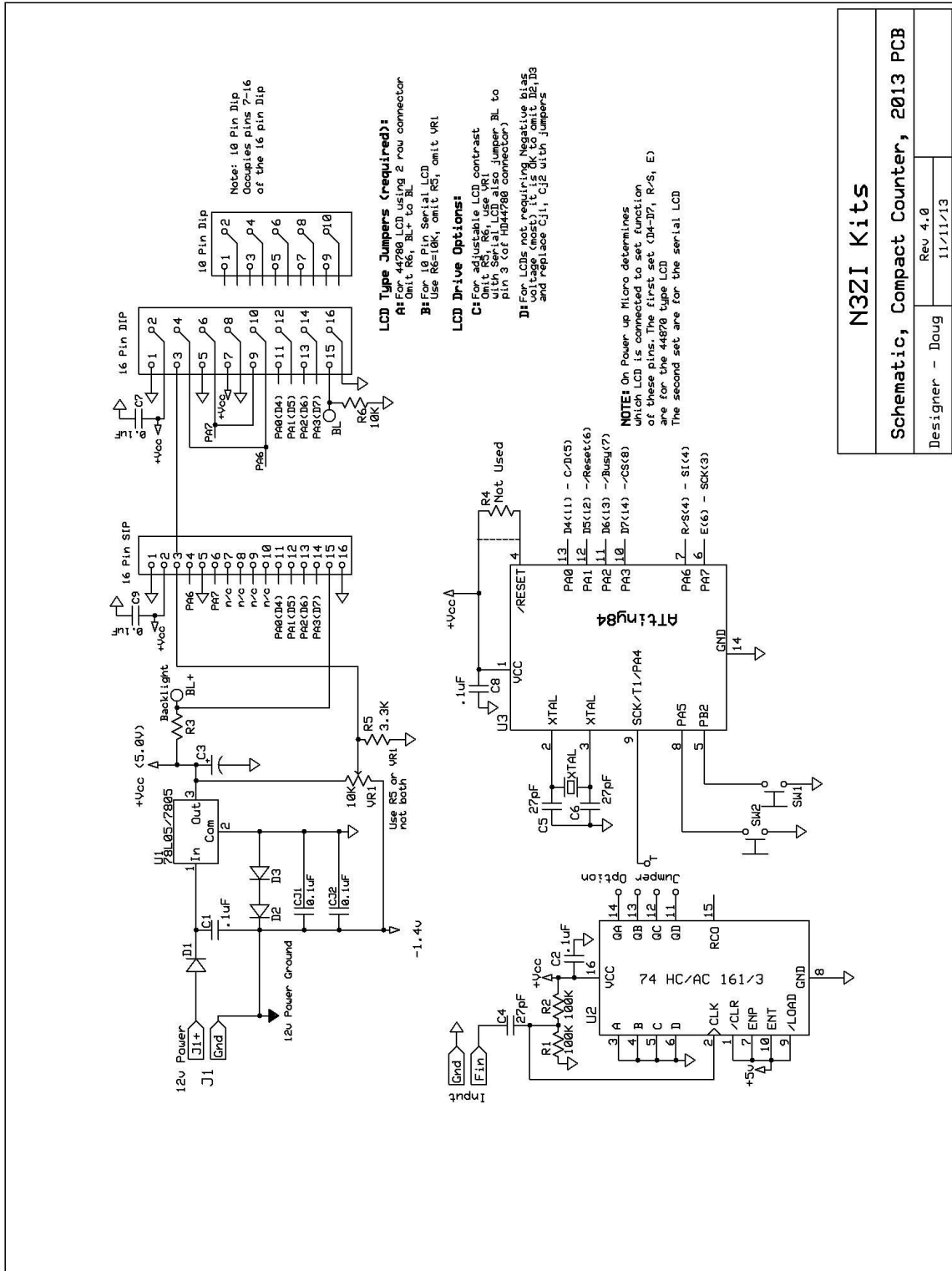
This kit comes with a 200 ohm (R3) backlight resistor. This will provide about 8mA of backlight current. If this is not sufficient for your LCD, you can use a lower value for R3. Note that some LCD modules have backlight resistors on the board. But if your LCD requires more than 20mA you will also have to replace the 78L05 regulator with a 7805.

N3ZI Digital Dial



Shown above is the Kit configured for a LCD with a 2 row connector. Note extra jumper, gray wire for backlight. I do not stock these smaller LCDs but they are readily available on ebay.

N3ZI Digital Dial



N3ZI Kits

Schematic, Compact Counter, 2013 PCB

Designer - Doug

Rev 4.0
11/11/13

Note that this schematic shows all parts on the PCB, depending on the LCD type used, some components are not needed. The packing list included with your kit is the most accurate list of parts for your version of the kit.